

SPECIFICATION

A: MATERIAL:

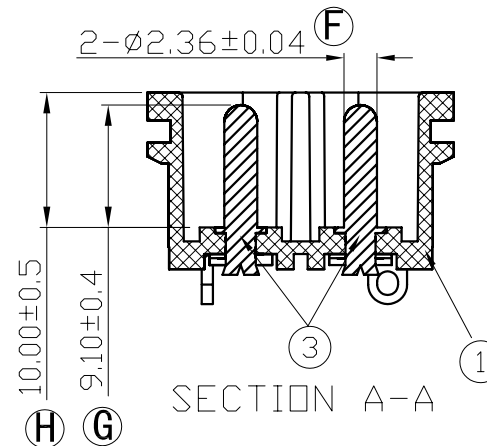
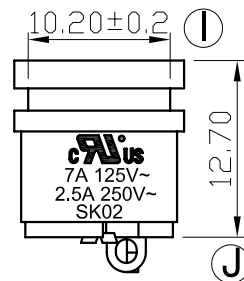
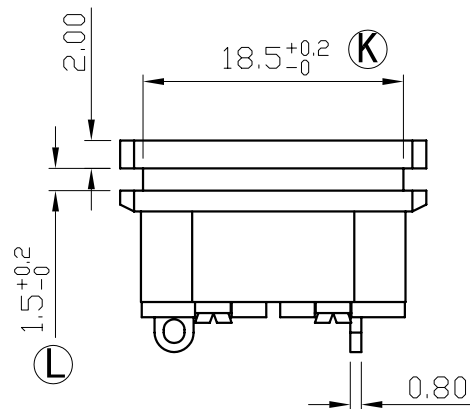
- 1.BODY: PC (GRAY)
- 2.TERMINAL: Cu PLATED Sn
- 3.PIN: Cu PLATED Ni

B: CHARACTERISTICS:

- 1.RATING: 2.5A 250V~(C-ULus, ENEC & CCC & KC)
- 2.INSULATION RESISTANCE:100MΩ MIN,AT 500VDC
- 3.ELECTRIC STRENGTH : 3000 VAC/1MIN,LEAKAGE CURRENT UNDER 0.5mA

C: APPROVALS: C-ULus, ENEC & CCC & KC

- D: MATERIAL USED MUST BE COMPLY WITH HQI-0010
- E: CAN MEET ROHS



TOLERANCES UNLESS OTHERWISE 未指定容許差尺寸之公差	
BASIC DIMENSIONS TOLERANCES	
UP TO 10 (10以下)	±0.15
ABOVE 10 TO 30(10~30)	±0.3
ABOVE 30 TO 100 (30~100)	±0.5
ANGULAR DIMENSIONS(角度)	±5°
DIMENSION UNIT	mm

東莞市華之力電子有限公司 DONGGUAN HCR ELECTRONICS CO., LTD.

NO	DATE	REVISION DESCRIPTION	REVISION	DRAWN	APPROVED	繪圖 DRAWN BY	日期 DATE	路徑 DWG NO	E:\成品圖 SK02\820188	料號 ITEM NO	機型 PART NAME	型號 PART NO
2						核准 APPROVED BY	20130719	投影法 PROJECT			INLET SOCKET	
1	2013/07/19	1.變更圓角改為直角 2.產品增加拋光A-2等級	A1	lampang	RZTang	校對 CHECKED BY	20130719	比例 SCALE	1:1			SK02
0	2013/07/02	新制定	A0	lampang	RZTang	繪圖 DRAWN BY	20130719	路徑 DWG NO				SK02-6701372223